

Wide-Angle Bullet Camera

170° Field Of View Weatherproof

- ▶ 350 LOR Color CFC2010WA
- ▶ 550 LOR Color CFC2010WA2
- ▶ 550 LOR Color Exview CFC2010WA3
- ▶ 0.5 Lux @ F1.4 CFC2010WA
- ▶ 0.08 Lux @ F1.4 CFC2010WA3
- ▶ 2.2mm Wide View 170° FOV
- ▶ Power 12VDC @ 500mA
- ▶ Rugged All-Aluminum Housing
- ▶ Includes EZ-Connect Cable



These cameras will give you the widest view (170°) of any camera we offer! If you place these cameras in the corner of your office or warehouse, you will have a clear and wide view of the whole area. The color CFC2010WA has a great 350 lines of resolution while the CFC2010WA2 has 550 lines of brilliant resolution. The aluminum case can stand up to the rigors of outdoor use. This camera is perfect for use in professional offices, warehouses, front doors, elevators, distribution centers and hallways. Includes our EZ-Connect cables and metal 360° swivel mounting bracket.

[CFC2010WA SERIES]

specifications|CFC2010WA Series


Model		CFC2010WA	CFC2010WA2	CFC2010WA3
NO. OF PIXELS	H	510	768	
	V	492	494	
SCANNING FREQUENCY	H	15.734 Khz		
	V	59.94 Hz		
HORIZONTAL RESOLUTION		Color: 380 TV Lines	Color : 550 TV Lines	
		N/A		B/W : 590 TV Line
SHUTTER SPEED	1/60~1/100,000 sec			
IMAGE PICK-UP DEVICE	1/3" Sony CCD		1/3" Sony Super HAD CCD	1/3" Sony Ex-view Color CCD
SCANNING SYSTEM	2:1 Interlaced			
SYNC. SYSTEM	Internal			
S/N RATIO (AGC off)	More than 50dB		More than 48 dB	
MIN. SENSITIVITY	0.5 Lux (F2.0)		0.1 Lux (F1.4)	0.08 Lux / 50 IRE - at F : 1.4
GAMMA CORRECTION	0.45 Approx			
GAIN CONTROL	Automatic			
VIDEO OUTPUT	Composite Video 1.0Vp-p/750hm			
LENS	Standard f=2.2mm (170 deg)			
POWER SOURCE	DC12V 500mA Regulated Power Supply			
POWER CONSUMPTION	1.0 Wat			
OPERATING TEMP.	-4F ~ 122F			
DIMENSIONS / MM	1.5" (Dia) x 3.25" (L)			
WEIGHT	6.25 oz			
ACCESSORIES	Stand			

WWW.SCDLINK.COM


1 SECURITY CAMERAS DIRECT WAY
LULING, TX 78648
PHONE: 800.316.6027
830.401.7000
FAX: 830.875.9010

SECURITY CAMERAS
DIRECT

	CAUTION RISK OF ELECTRIC SHOCK DO NOT OPEN	
---	---	---

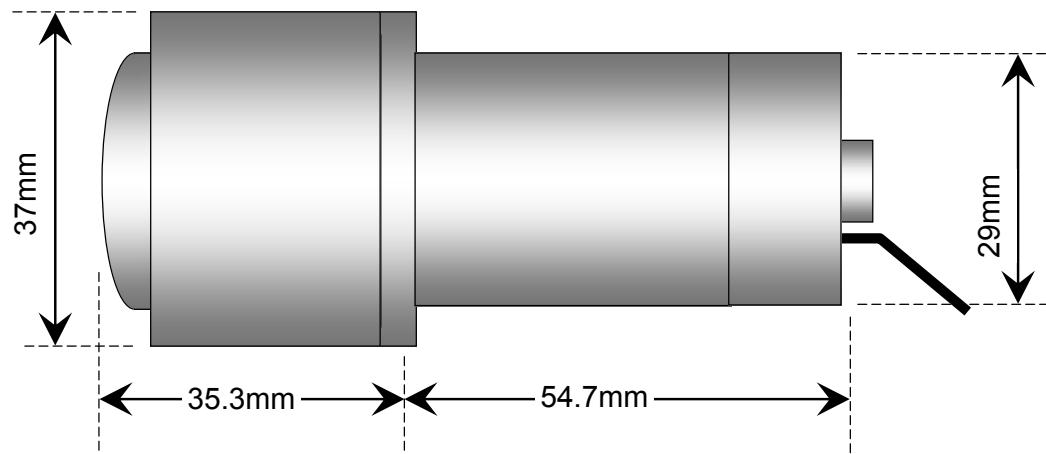
 This symbol is intended to alert the user to the presence of uninsulated "dangerous voltage" within the product's enclosure that may be of sufficient magnitude to constitute a risk of electric shock to persons.

CAUTION : TO REDUCE THE RISK OF ELECTRIC SHOCK
DO NOT REMOVE COVER (OR BACK)
NOT USE A SERVICEABLE PARTS INSIDE
REFER SERVICING TO QUALIFIED SERVICE
PERSONNE

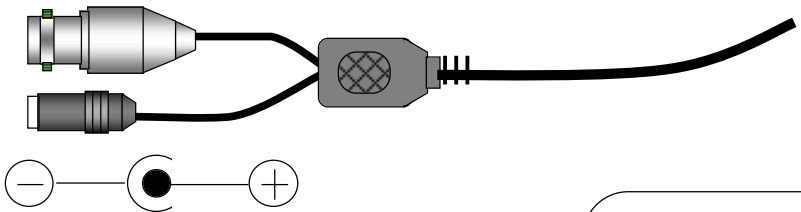
 This symbol is intended to alert the user to the presence of important operating and main tenance instructions in the literature accompanying the appliance.

WARING : TO REDUCE THE RISK OF FIRE OR ELECTRIC SHOCK
DO NOT EXPOSE THIS APPLIANCE TO RAIN OR MOISTURE

DEMINSION



CONNECTION



 **CAUTION :**
Please Use Regulated
Power Supply 12VDC